

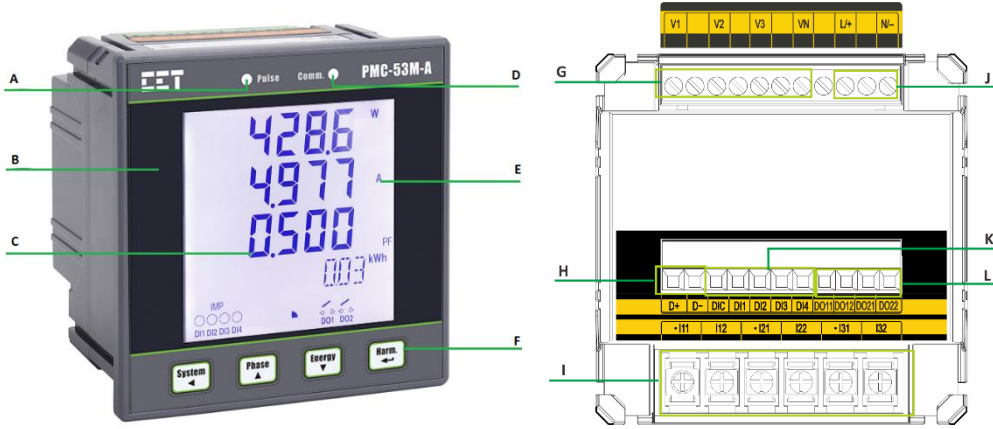
PMC-53M-A Quick Start Guide

Version V1.02

Package Contents

- PMC-53M-A with all mounting clips and plug-in connectors installed
- Factory Test Report
- CD with PMC-53M-A User Manual
- Quick Start Guide (this document)

Meter Overview



Front View

Rear View - 4DI, 2DO, RS-485

PMC-53M-A

Model: PMC-53M-A-5925XAE
 Power Supply: 95-250V~; 47-400Hz; 2W; OVC III
 Voltage Inputs: Max. 400V/690Vac Y connection (earthed neutral);
 and 600 Vac Delta Connection/Single phase
 Connection, 45-65Hz, CAT III
 Current Inputs: 5A/1A

1602052894

Warning Labels

Installation and maintenance should only be performed by qualified and competent personnel who have been properly trained to handle high voltage and current devices in accordance with local and national electrical codes.

Hazardous voltage can cause electric shock, burn or explosion. Disconnect and lockout power source, open all PT secondaries and short all CT secondaries before servicing. Failure to observe proper precaution may result in serious injury or death.

Serial Number & Warning Labels

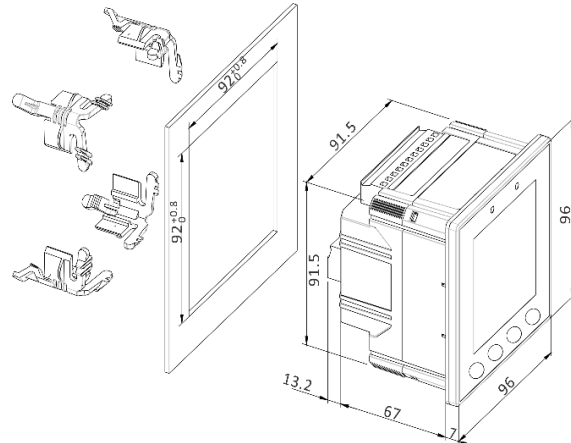
A	kWh/kvarh LED Pulse Output	E	Units Buttons	I	Current Input Terminals
B	Front Panel	F	Buttons	J	Power Supply Terminals
C	Measurements	G	Voltage Input Terminals	K	Optional DI Terminals
D	Communication Indicator	H	RS-485 Terminals	L	Optional DO Terminals

Using the Front Panel Buttons

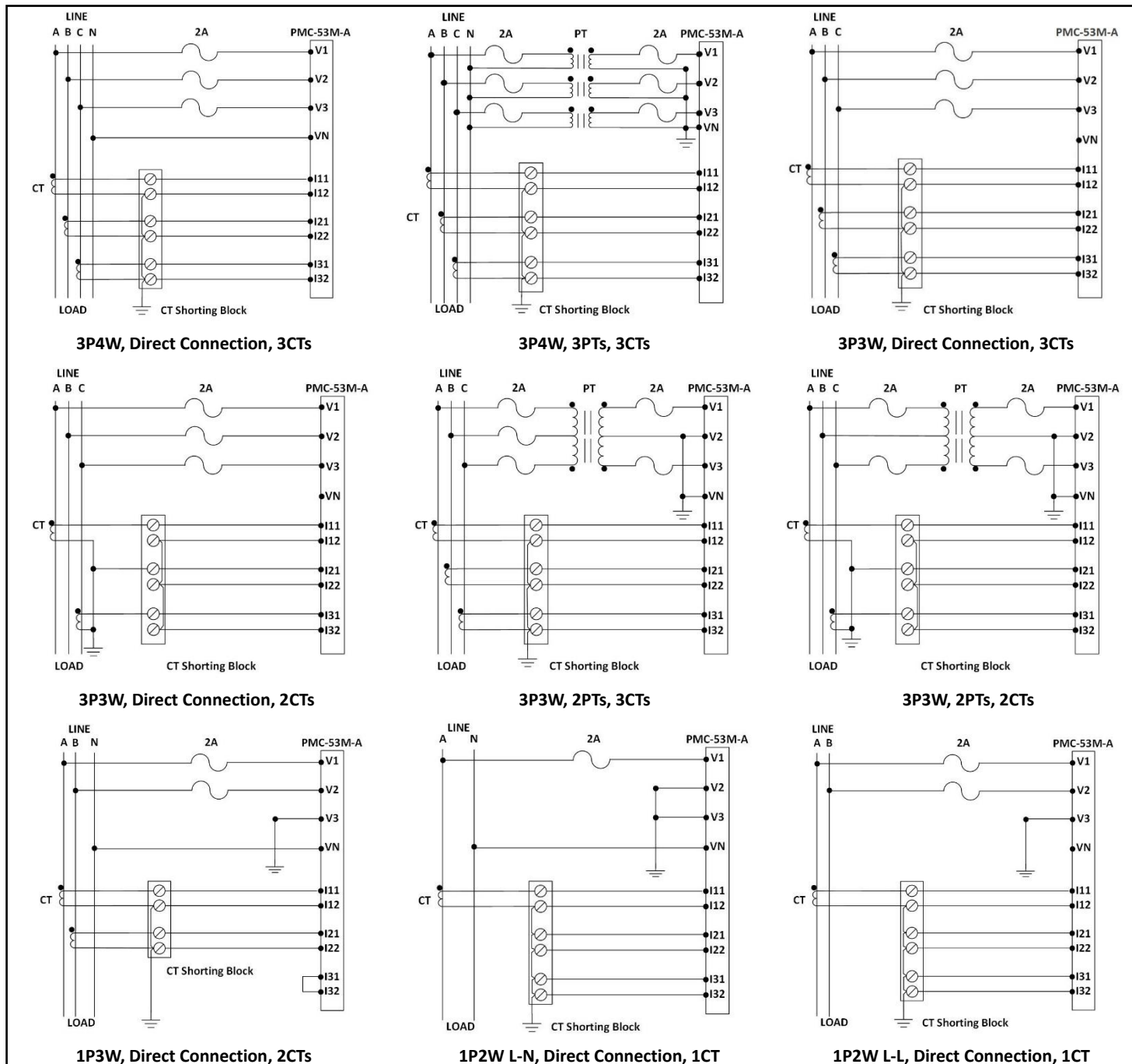
Buttons	Data Display Mode	Setup Configuration Mode
<System/◀>	Pressing this button scrolls through the available measurements in the System Menu.	<ul style="list-style-type: none"> Before a parameter is selected for modification, pressing this button returns to the previous menu level if it's currently in a sub-menu. Otherwise, this button is ignored. Once a numeric parameter is selected, pressing this button moves the cursor to the left by one position. Otherwise, this button is ignored.
<Phase/▲>	Pressing this button scrolls through the available per-phase measurements in the Phase Menu.	<ul style="list-style-type: none"> Before a parameter is selected for modification, pressing this button goes back to the last parameter in a particular menu or sub-menu. If a parameter is already selected, pressing this button increments a numeric value or goes back to the last enumerated value in the selection list.
<Energy/▼>	Pressing this button scrolls through the available Energy measurements in the Energy Menu.	<ul style="list-style-type: none"> Before a parameter is selected for modification, pressing this button advances to the next parameter in a particular menu or sub-menu. If a parameter is already selected, pressing this button decrements a numeric value or advances to the next enumerated value in the selection list.
<Harm/↔>	Pressing this button scrolls through the available PQ measurements in the Harmonic Menu. Pressing this button for more than 2 seconds enters the Setup Configuration mode.	<ul style="list-style-type: none"> Once inside the Setup Configuration mode, pressing this button selects a parameter for modification or chooses whether to enter a sub-menu by selecting YES or NO. After changing the parameter pressing this button again saves the new setting into memory. Pressing this button for more than 2 seconds anywhere exits Setup Configuration mode.

Mounting the Meter

- Remove the installation clips from the meter.
- Fit the meter through a 92mmx92mm cutout as shown in the right figure.
- Re-install the installation clips and push the clips tightly against the panel to secure the meter.



Wiring Diagrams



Basic Setup Parameters

Menu	Parameters	Description	Options/Range	Default
Password Setup	/	Password	0 to 9999	0
System Setup	Wiring Mode	The Wiring Connection of the meter	DEMO/1P2W L-N/1P2W L-L/ 1P3W L-L-N/3P3W/3P4W	3P4W
	PT Primary	Primary PT Ratio	1 to 1,000,000 (V)	100V
	PT Secondary	Secondary PT Ratio	1 to 690 (V)	100V
	CT Primary	Primary CT Ratio	1 to 30,000 (A)	5A
	CT Secondary	Secondary CT Ratio	1 to 5 (A)	5A
	PF Convention	Set PF Convention	IEC/IEEE/-IEEE	IEC
	kVA Calculation	Set kVA Calculation Method	V/S (V=Vector, S=Scalar)	Vector
	I1 REV	Reverse Phase A CT Polarity	YES/NO	NO
Communication Setup	I2 REV	Reverse Phase B CT Polarity	YES/NO	NO
	I3 REV	Reverse Phase C CT Polarity	YES/NO	NO
	Unit ID	Set the Modbus Address	1 to 247	100
Energy Setup	Baud Rate	Data rate in bits per second	1200/2400/4800/9600/19200/38400 bps	9600
	Config.	Data Format	8N2/8O1/8E1/8N1/8O2/8E2	8E1
Energy Setup	LED Energy Pulsing	Enable kWh and kvarh LED Energy Pulsing	OFF/P/Q	P
	Pulse Constant	Pulse Constant	1000/3200	1000